

Dual-Voltage AXIOM™ Thermal Carafe Coffee Brewer with LCD



Model AXIOM-DV-TC
(thermal carafe sold separately)
Dimensions: 17.9" H x 9" W x 18.5" D
(44.8cm H x 22.9cm W x 47cm D)

Features

Dual-Voltage Thermal Carafe Coffee Brewer

- Easily convertible by flipping a switch to:
 - 120 volt, 15 amp
 - 120/208 volt, 15 amp
 - 120/240 volt, 15 amp
- Brews 4.5 to 7.5 gallons (17 to 28.4 litres) of perfect coffee per hour.
- For high lime areas, BrewLOGIC™ technology calculates flow rate and adjusts brew time to maintain consistent pot levels.
- BrewWIZARD™ technology incorporates simplified programming with a LCD display.
- Accepts thermal carafe up to 8.5" tall (21.6 cm).
- Use in quick turn environments where high quality coffee is continuously refreshed.
- Ensures coffee brew quality with cold brew lock out capability.
- Quicker install saves up to 30 minutes. Pot level, cold brew lock-out and tank temperature set easily from advanced touch pad on front of machine.
- Electronic diagnostics and built in tank drain make service easier.
- Hot water faucet.
- SplashGard® funnel deflects hot liquids away from the hand.
- Adjusts automatically to varying water pressure.

For current specification sheets and other information, go to www.bunn.com.

Related Products

Easy Clear® EQ-17-TL

Product No. : 30200.1000
Dimensions:
12⁷/₁₆" H x 2¹/₂" W x 3" D
31.6 cm H x 6.35 cm W x 7.62 cm D



Easy Clear® ED-17-TL

Product No. : 30201.1001
Dimensions: 8¹/₄" H x 2⁵/₁₆" Dia.
20.95 cm H x 5.87 cm Dia.

Paper Filter Pack

Product No. : 20115.0000
Packed per case: 1,000
Dimensions: 4¹/₄" Base x 2³/₄" Sidewall
10.8 cm Base x 6.98 cm Sidewall



Thermal Carafe

Product No. : 36029.0001
Dimensions: 8"H x 6.4"W x 8.2"D
(20.3cm H x 16.3cm W x 21cm D)



Thermal Carafe (orange lid)

Product No.: 36252.0001
Dimensions: 8"H x 6.4"W x 8.2"D
(20.3cm H x 16.3cm W x 21cm D)



Dimensions & Specifications

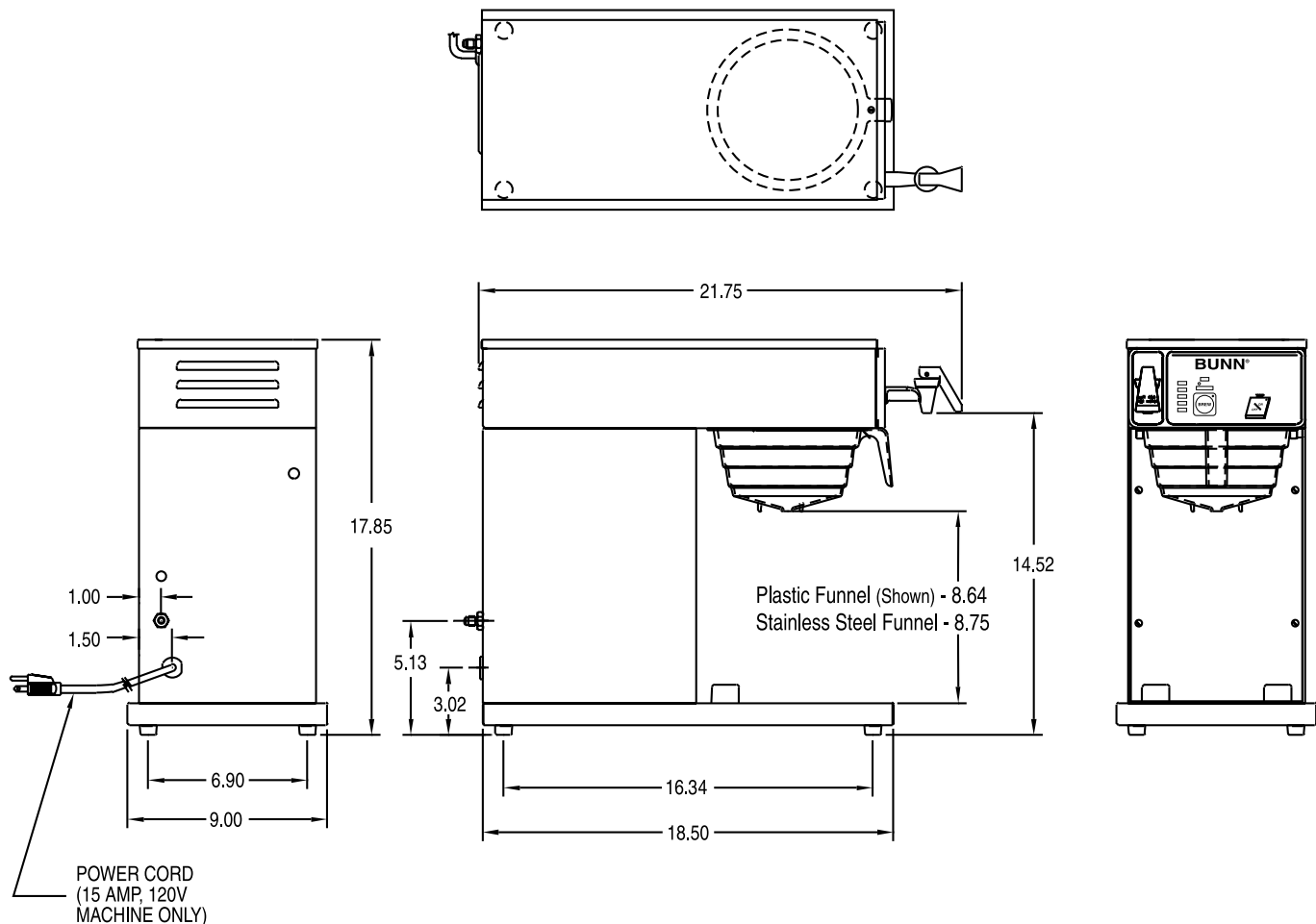
Model	Product #	Volts	Amps	Tank Heater Watts	Total Watts	Brewing Capacity	Cu. Ft.	Shipping Weight	Cord Attached
AXIOM-DV-TC	38700.0011	120	12.3	1425	1475	4.5 gal./hr.	4.3	30 lbs.	Yes
		120/208	12.9	2629	2679	7.5 gal./hr.			
		120/240	14.8	3501	3551	7.5 gal./hr.			

Brewing capacity: based upon incoming water temp of 60°F (140°F rise) per 1/2 gallon brew time of 4 minutes.

Electrical: If wired for 120V, requires 2-wires plus ground service rated 120V, single phase, 60 Hz.

If wired for 120/208V or 120/240V, requires 3-wires plus ground service rated 120/208V or 120/240V, single phase, 60 Hz.

Plumbing: 20-90 psi (138-621 kPa). Supplied with 1/4" male flare fitting.



BUNN Corporation - 1400 Stevenson Drive Springfield, Illinois 62703 • 800-637-8606 • 217-529-6601 • Fax 217-529-6644 • www.bunn.com

BUNN® practices continuous product research and improvement. We reserve the right to change specifications and product design without notice. Such revisions do not entitle the buyer to corresponding changes, improvements, additions or replacements for previously purchased equipment.

All dimensions shown in inches. Bunn Corporation owns all copyrights relating to materials in this publication. Please contact Bunn Corporation to request permission to reproduce any portion of this publication.