

TF Digital Baseless Servers

Features

BUNN ThermoFresh® Digital Baseless Servers

- Four-hour digital freshness indicator display in 15-minute segments.
- Volume indicator displays how much coffee is left inside the server.
- Digital sight gauge operates on four AAA batteries with an average 1-year lifespan. Display shows low battery symbol when replacement is needed.
- Vacuum insulated to keep coffee hot for hours.
- Contemporary styling and wrap program for maximum merchandising.
- Large cup clearance allows for dispensing into cups, decanters and thermal carafes.
- Fast flow faucet.
- Brew-through lid.
- Ideal for use with the Infusion Coffee Brewer (ICB).



TF Server*

1.5 Gallon Digital (without base)

(TF Server Stand not included)

Dimensions (1.5 gal w/out base): 14.8" H x 9.05" W x 13.8" D
(37.6cm H x 22.99cm W x 35.1cm D)

For current specification sheets and other information, go to www.bunn.com.

* International models may vary in appearance.

Related Products

TF Server Stand

Product No.: 38025.0000



ICB Brewer

Product No.: 36600.0000

Dimensions: 26.01"H x 10.19" W x 22.42" D
(66.1cm H x 25.9cm W x 57cm D)

Brewer/Server Compatibility	
Brewer	1.5 Gal TF Baseless
ICB	Yes
ITCB (short)	No
ITCB (tall)	Yes with Server Stand
Single TF	Yes with Server Stand
Dual TF	Yes with Server Stand

Model

TF Server, 1.5 Gal Digital

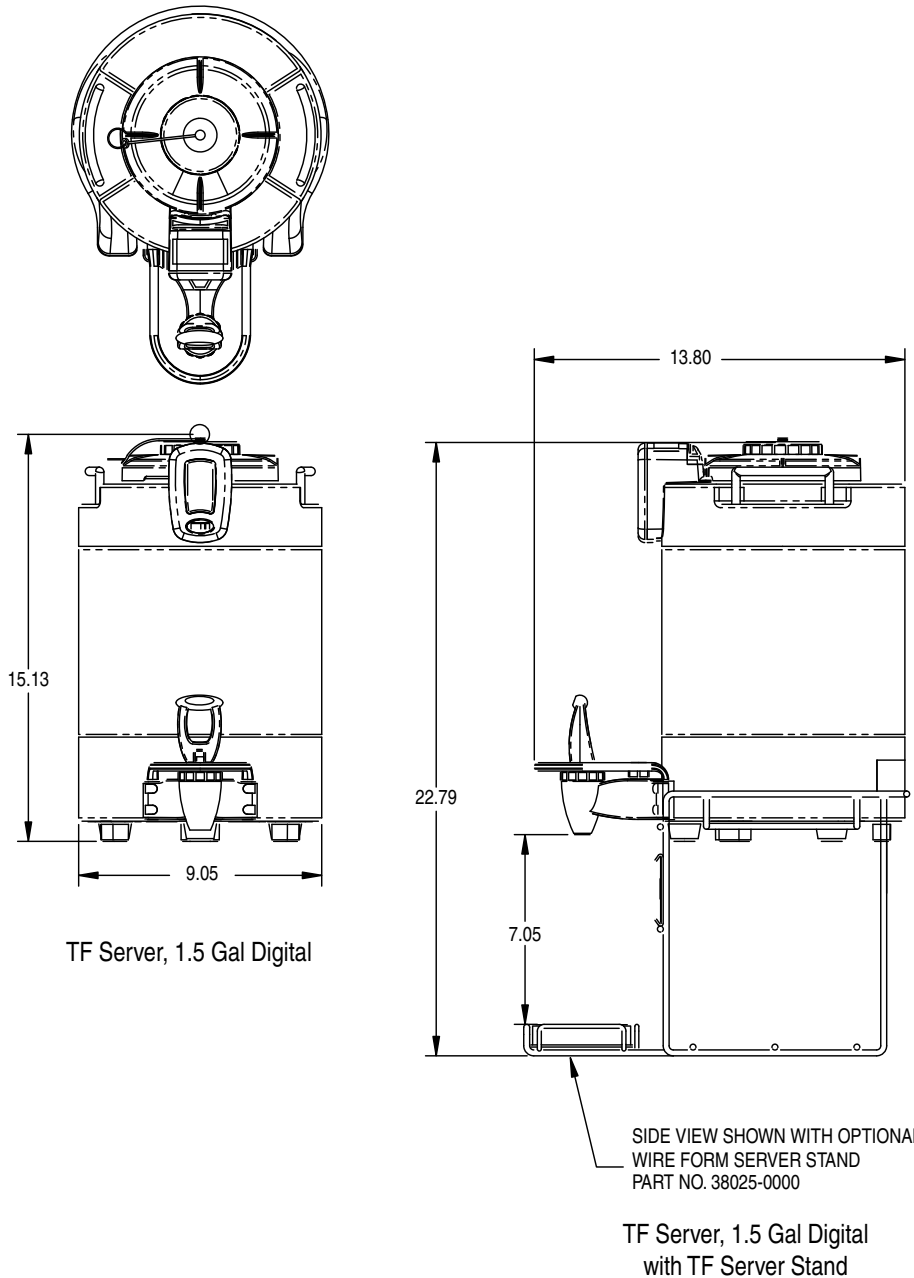
Agency Listing



Dimensions & Specifications

Model	Product #	Volts	Amps	Total Watts	Holding Capacity	Cubic Measure	Shipping Weight	Cord Attached
TF Server, 1.5 Gal digital (without base)	34850.0054	n/a	n/a	n/a	1.5 gallons	2.8 ft ³	11.7 lbs.	No
TF Server, 1.5 Gal digital (without base)*	34850.0055	n/a	n/a	n/a	1.5 gallons	2.8 ft ³	11.7 lbs.	No

* Model has black finish.



BUNN Corporation - 1400 Stevenson Drive Springfield, Illinois 62703 • 800-637-8606 • 217-529-6601 • Fax 217-529-6644 • www.bunn.com

BUNN® practices continuous product research and improvement. We reserve the right to change specifications and product design without notice. Such revisions do not entitle the buyer to corresponding changes, improvements, additions or replacements for previously purchased equipment.

All dimensions shown in inches. Bunn Corporation owns all copyrights relating to materials in this publication. Please contact Bunn Corporation to request permission to reproduce any portion of this publication.