



# TD4 & TD4T Dual Reservoir Iced Coffee Dispenser

## INTRODUCTION

This dispenser is designed to hold and serve up to 2 gallons of cold beverage in each of two reservoirs at remote locations. Two separate reservoirs, each having its own faucet, means you can now serve two different kinds of beverage. Easy to see indicators on the front of the dispenser shows when a refill is needed to either reservoir.

## CLEANING

**CAUTION - CLEAN AND SANITIZE YOUR ICED COFFEE DISPENSER DAILY**

1. Twist the faucet wing nuts(14) in a clockwise direction and remove the faucets(7) from the dispenser.
2. Thoroughly clean the entire inside surface of the dispenser and the faucet shanks(15) using the #00674.0000 brush using a mild detergent and water solution. Rinse the dispenser and shank with warm water.
3. Disassemble the faucets(7). The faucet cleaning procedure requires a 3-compartment sink. Thoroughly wash all faucet parts in a mild detergent and water solution in the first sink. Rinse the parts in hot water in the second sink. Sanitize the parts for one minute in 75° warm chlorine solution (at least 50 ppm) in the third sink. Reassemble the faucets and attach them to the dispenser.
4. Sanitize all exposed surfaces of the dispenser with a 75° warm chlorine solution (at least 100 ppm). Empty the dispenser and thoroughly rinse everything.
5. Wash the entire outside surface of the dispenser with a clean damp cloth.

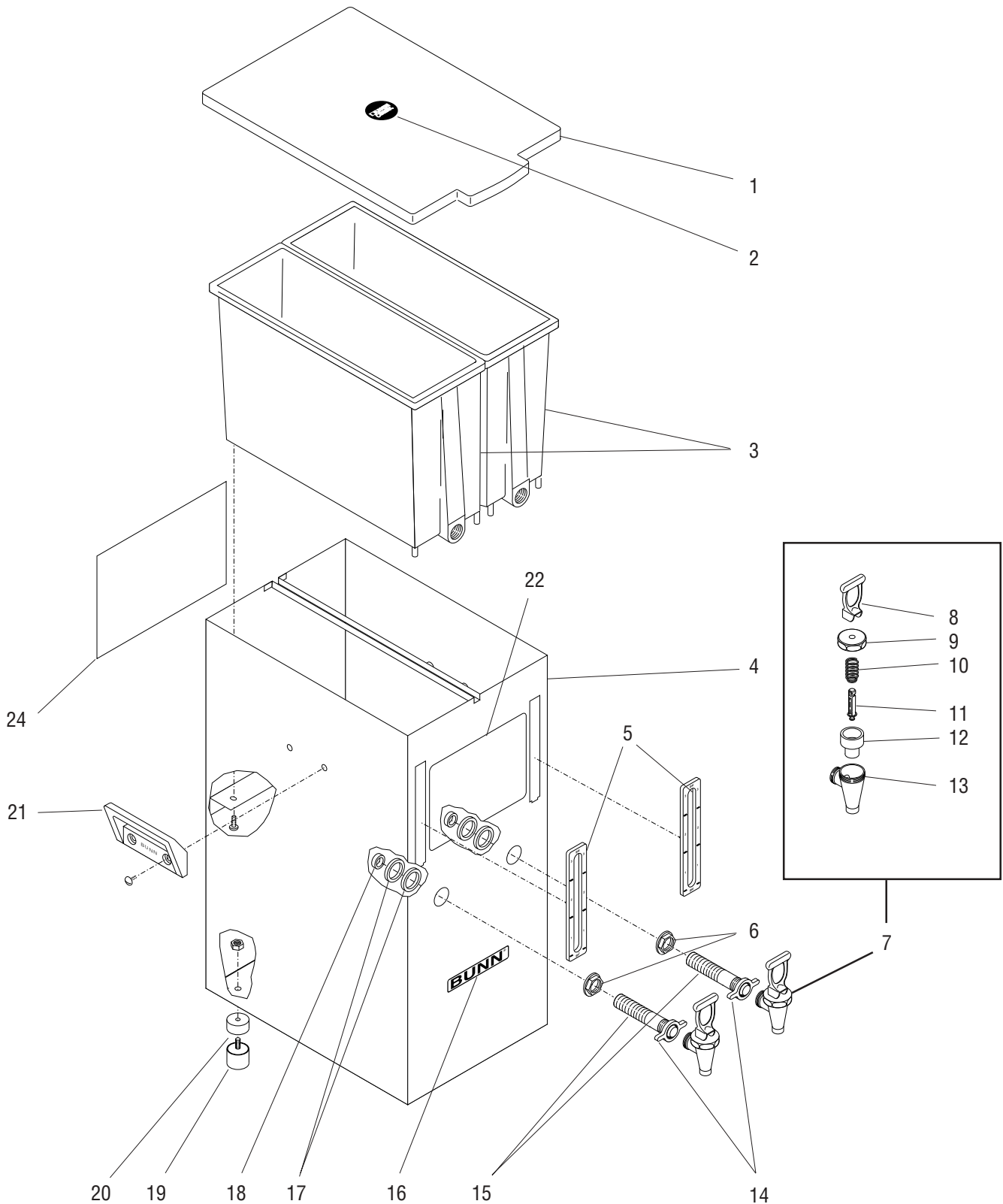
**CAUTION - DO NOT KEEP BREWED ICED COFFEE OVERNIGHT**

## **BUNN-O-MATIC CORPORATION**

**POST OFFICE BOX 3227**

**SPRINGFIELD, ILLINOIS 62708-3227**

**PHONE: (217) 529-6601 FAX: (217) 529-6644**



## RESERVOIRS, HOUSING AND FAUCETS

ITEM	PART NO.	QTY.	DESCRIPTION
1	27155.1000	1	Lid W/Decal, Reservoir (Includes item 2)
2	00778.0000	1	Decal
3	26941.0000	2	Reservoir
	01364.0000	4	Screw, Self Tapping Pan Head #6 x .38"
4	-----	1	Housing, Dispenser (Not Available)
5	03754.0001	2	Gauge, Sight W/Markings
6	03292.0001	2	Nut, Faucet Shank
7	03260.0001	2	Faucet Assembly, Black (Includes items 8 thru 13)
	03260.0002	2	Faucet Assembly, Black (Sweet / Unsweet)
8	29163.0001	2	Handle, Faucet (See Item 25)
	29613.0003	2	Handle, Faucet (Sweet / Unsweet) (See item 25)
9	29165.0001	2	Nut, Faucet Bonnet
10	00601.0000	2	Spring, Faucet (See Item 25)
11	29164.0000	2	Stem, Faucet (See Item 25)
12	00600.0000	2	Cup, Faucet (See Item 25)
13	-----	2	Body, Faucet (Not Available, Order item 7)
14	03093.0002	2	Wing Nut, Faucet
15	26914.0000	2	Shank Assembly, Faucet (Includes items 6 & 14)
16	00651.0000	1	Decal, BUNN
17	27169.0000	4	Washer, Rubber
18	03099.0000	2	Gasket, Faucet Shank
19	00754.0001	4	Foot, Black Plastic
	23700.0000	4	Nut, Keps .25"-20
20	00752.0000	4	Cover
21	03710.0002	2	Handle, Black
	02325.0000	4	Screw, Pan Head .25"-20 x .312"
22	21143.0000	1	Decal, Iced Coffee (used on TD4T Only)
23	00674.0000	1	Brush, Cleaning (Not illustrated)
24	27294.0000	1	Decal, Reservoir Cleaning
25	29166.0001	-	Faucet Repair Kit (Black) (Includes Items 8, 10, 11 & 12)
	29166.0002	-	Faucet Repair Kit (Sweet / Unsweet) (Includes Items 8, 10, 11 & 12)

## **BUNN-O-MATIC COMMERCIAL PRODUCT WARRANTY**

Bunn-O-Matic Corp. ("BUNN") warrants equipment manufactured by it as follows:

- 1) All equipment other than as specified below: 2 years parts and 1 year labor.
- 2) Electronic circuit and/or control boards: parts and labor for 3 years.
- 3) Compressors on refrigeration equipment: 5 years parts and 1 year labor.
- 4) Grinding burrs on coffee grinding equipment to grind coffee to meet original factory screen sieve analysis: parts and labor for 3 years or 30,000 pounds of coffee, whichever comes first.

These warranty periods run from the date of installation BUNN warrants that the equipment manufactured by it will be commercially free of defects in material and workmanship existing at the time of manufacture and appearing within the applicable warranty period. This warranty does not apply to any equipment, component or part that was not manufactured by BUNN or that, in BUNN's judgment, has been affected by misuse, neglect, alteration, improper installation or operation, improper maintenance or repair, damage or casualty. This warranty is conditioned on the Buyer 1) giving BUNN prompt notice of any claim to be made under this warranty by telephone at (217) 529-6601 or by writing to Post Office Box 3227, Springfield, Illinois 62708-3227; 2) if requested by BUNN, shipping the defective equipment prepaid to an authorized BUNN service location; and 3) receiving prior authorization from BUNN that the defective equipment is under warranty.

**THE FOREGOING WARRANTY IS EXCLUSIVE AND IS IN LIEU OF ANY OTHER WARRANTY, WRITTEN OR ORAL, EXPRESS OR IMPLIED, INCLUDING, BUT NOT LIMITED TO, ANY IMPLIED WARRANTY OF EITHER MERCHANTABILITY OR FITNESS FOR A PARTICULAR PURPOSE.** The agents, dealers or employees of BUNN are not authorized to make modifications to this warranty or to make additional warranties that are binding on BUNN. Accordingly, statements by such individuals, whether oral or written, do not constitute warranties and should not be relied upon.

If BUNN determines in its sole discretion that the equipment does not conform to the warranty, BUNN, at its exclusive option while the equipment is under warranty, shall either 1) provide at no charge replacement parts and/or labor (during the applicable parts and labor warranty periods specified above) to repair the defective components, provided that this repair is done by a BUNN Authorized Service Representative; or 2) shall replace the equipment or refund the purchase price for the equipment.

**THE BUYER'S REMEDY AGAINST BUNN FOR THE BREACH OF ANY OBLIGATION ARISING OUT OF THE SALE OF THIS EQUIPMENT, WHETHER DERIVED FROM WARRANTY OR OTHERWISE, SHALL BE LIMITED, AT BUNN'S SOLE OPTION AS SPECIFIED HEREIN, TO REPAIR, REPLACEMENT OR REFUND.**

In no event shall BUNN be liable for any other damage or loss, including, but not limited to, lost profits, lost sales, loss of use of equipment, claims of Buyer's customers, cost of capital, cost of down time, cost of substitute equipment, facilities or services, or any other special, incidental or consequential damages.